

Input:

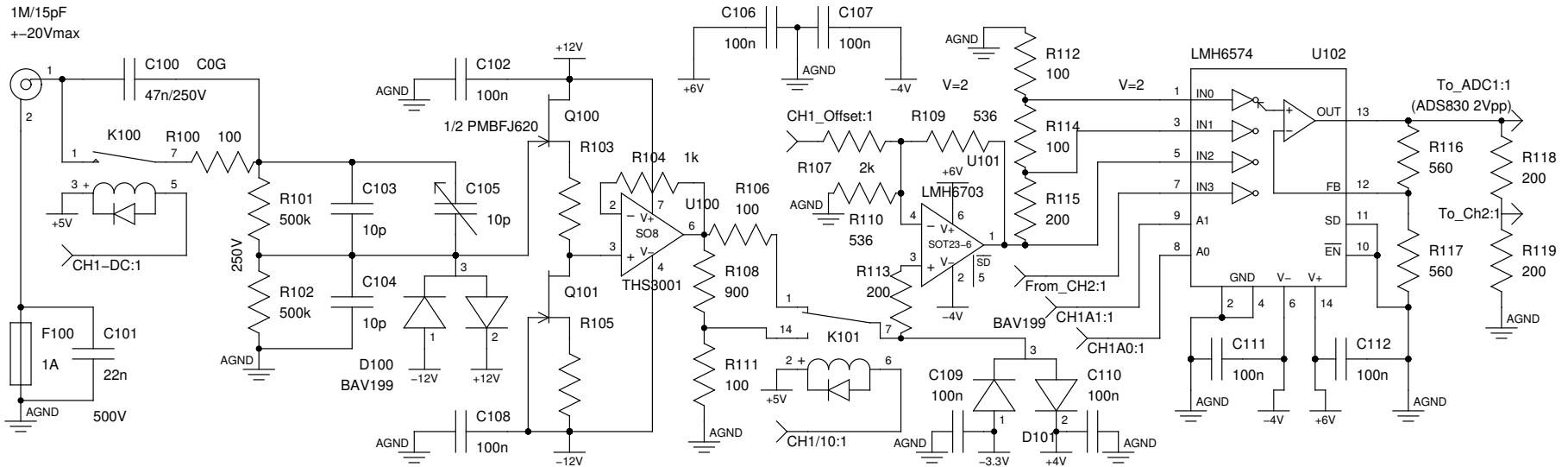
+/-18, 10, 5, 2, 1, 0.5, (0.25) V full scale

or 36...1 (0.5) Vp-p full scale

1M/15pF

+/-20Vmax

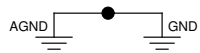
JFET stage, see AoE p. 135



Remarks

- All values are preliminary
- THS3001 is a fast CF OpAmp with wide IO range -- we may replace it with similar VF
- LMH7603 or OPA695 are fast CF OpAmps -- fast VF OpAmps should be fine too
- We may consider replacing JFETS and THS3001 by (slower) AD8065
- PMBFJ620 is a dual JFET, we may consider faster single devices
- Reed-Relays: Meder_SILxx-1A72-71D&Meder_DIPxx-1C90-51D

NetCon100



Connect at one central point

DSO, Input Stage (Ch. 1)	
File: DSO_Input-Stage1.sch	Sheet: 1 of a few
Author: S. Salewski	Rev: A 0.07
Copyright: All Rights Reserved	Date: 23-MAR-2009